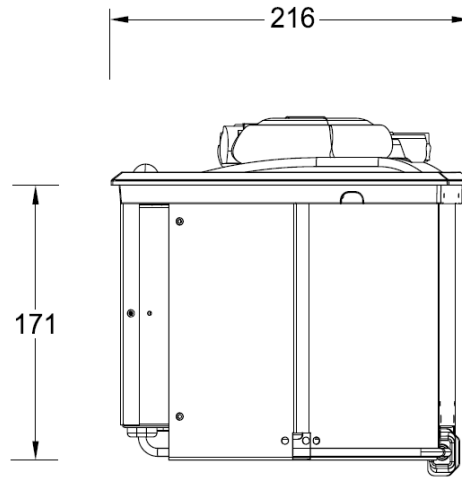
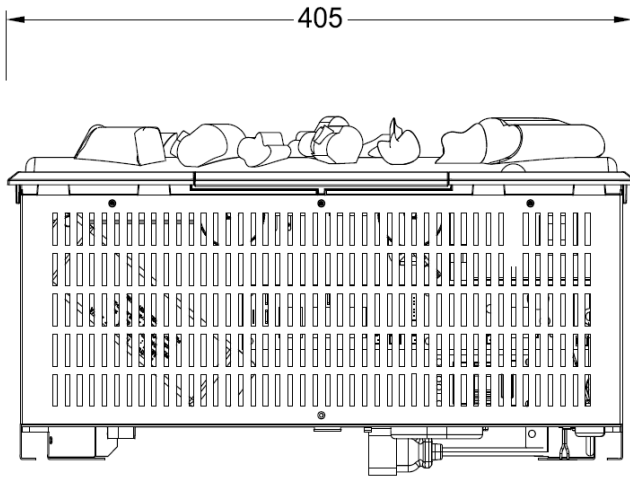


# Cassette 400

## Dimensions



## Air intake requirements

