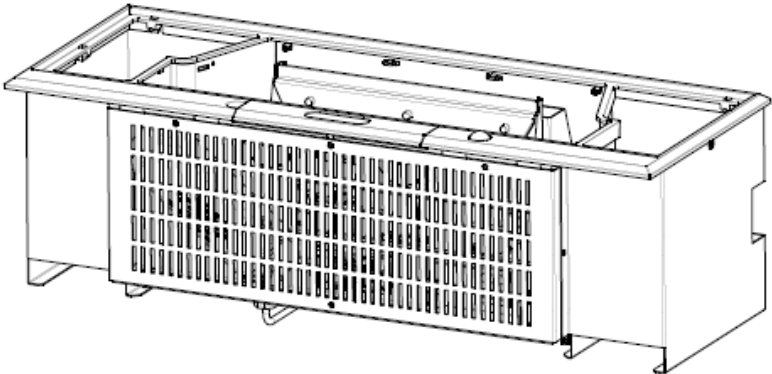
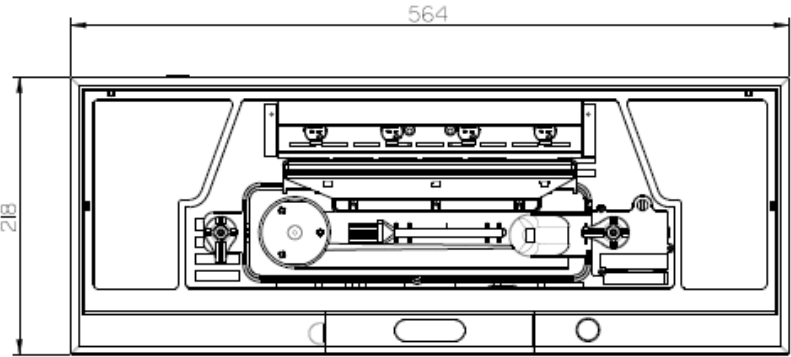
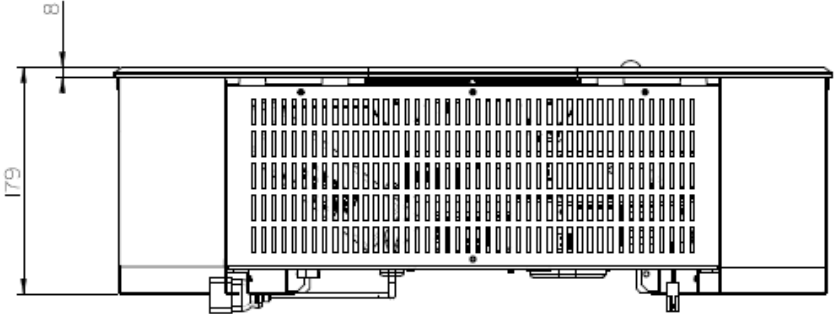


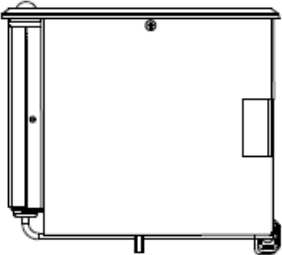
# Dimensions Cassette 600



SCALE 0.250



SCALE 0.250



# Air intake requirements

